

PRELIMINARY



224/228 kW



67-74 t



17 - 21 m



MAXCAB

MASTERCAB

850E

Mobile material handling machine

TIER IVf emission standards

850E Technical data, equipment

M

MACHINE TYPE

Model (type) **850**

ENGINE

Power **228 kW/305 hp at 2,000 rpm (Stage IIIa)**
224 kW/300 hp at 2,000 rpm (TIER IVf)

Model **Cummins QSL 9-C300 Stage IV**
Direct injection, turbocharged, charge-air cooler, reduced emissions, EcoMode, automatic idle, auto-stop, fuel preheating

Cooling Water-cooled, cooler fan reversal

Diesel filter With water separator and heating system

Air filter Dry filter with integrated pre-separator, automatic dust discharge, main element and safety element, contamination indicator

Fuel tank **1000 l**

Electrical system **24 V**

Batteries **2 x 155 Ah**, battery disconnect switch

Options

- Engine block heater
- Electric fuel pump

UPPERCARRIAGE

Design Torsion-resistant box design, precision crafted, steel bushings for boom brackets

Extremely service-friendly design, longitudinal engine

Central lubrication Automatic central lubrication for equipment and slewing gear raceway

Electrical system Central electrical distributor, battery disconnect switch

Cooling system 3-circuit cooling system with high cooling output, thermostatically regulated fan drive for oil cooler and water cooler, fan reversal for cleaning

Options

- Slewing gear brake via foot pedal
- Peripheral uppercarriage railing for additional safety
- LED lighting package
- Fire extinguisher
- Maritime climate varnish as corrosion protection
- Electric heater for hydraulic tank for temperatures below -20 °C
- Low-temperature package for use at temperatures below -20 °C
- Hydraulically driven magnetic generator 15 kW/20 kW



HYDRAULIC SYSTEM

Load sensing/LUDV hydraulic system, hydraulic pilot-controlled work functions, load limit sensing control

Pump type Swashplate-type variable-displacement piston pump, load pressure-independent flow distribution for simultaneous, independent control of work functions

Pump control Zero-stroke control, on-demand flow control – the pumps only pump as much oil as will actually be used, pressure purging, load limit sensing control

Operating pressure **max. 350 bar**

Filtration High-performance filtration with long change interval

Hydraulic tank **900 l**

Control system Proportional, precision hydraulic actuation of work movements, 2 hydraulic servo joysticks for the work functions, additional functions via switches and foot pedals

Safety Hydraulic circuits with safety valves, secured emergency lowering of the equipment at engine standstill, pipe fracture safety valves for lift cylinder and stick cylinder

Options

- Bio-oil – environmentally friendly
- ToolControl for programming the pressure/rate for up to 10 tools
- Additional hydraulic circuit for shear attachment
- Load moment warning with capacity utilization indicator
- Overload safeguard with shutdown
- 60 µm pressure filter for attachments
- 3 µm hydraulic micro-filter - SENNEBOGEN HydroClean



SLEWING DRIVE

Gearbox Compact planetary gear with slant-axis hydraulic motor, integrated brake valves

Parking brake Spring-loaded multi-disk brake

Slewing ring External gear slewing ring with 360° protection and pinion gear lubrication

Slewing speed 0-7 rpm, variable

850E Technical data, equipment

M

CAB **MAX** CRB

Cab type	Hydraulically elevating cab E270
Cab equipment	Sliding door, excellent ergonomics, automatic climate control, heated, air-suspension comfort seat, fresh/circulating air filter, joystick control, 12 V/24 V connections, SENCON
Options	<ul style="list-style-type: none"> ■ Cab E300/260 can be elevated 300 cm and moved forward 260 mm hydraulically ■ Rigid cab height elevation 1.00 m ■ Auxiliary heating system with timer ■ Active-charcoal outside air filter for cab, ideal for waste recycling ■ Steering wheel with adjustable steering column ■ Sliding window in operator door ■ Armored glass windshield, additional safety ■ Armored glass roof window, additional safety ■ Safety side window and rear window ■ Floor window for a better view ■ Rolling shade for roof window and windshield ■ Protective roof grating ■ FOPS protective roof grating ■ Protective front grating ■ Radio and CD player with speakers ■ Enlarged industrial cab with undivided armored glass windshield

ATTACHMENTS

Design	Decades of experience, state-of-the-art computer simulation, highest level of stability, longest service life, large-dimensioned and low-maintenance bearing points, sealed special bearing bushes, precision-crafted, quick-release couplings on the connections - open/close/rotate grapple
Cylinders	Hydraulic cylinders with high-quality sealing and guide elements, end position damping, sealed bearing points
Options	<ul style="list-style-type: none"> ■ Ball valves in the hydraulic lines for quick and easy grapple switching ■ Kinematics position II for greater working depth ■ Maritime climate varnishing ■ Maritime climate coating of all cylinders, nickel-plated and chrome-plated ■ Float position of the equipment ■ Hoisting limiter / stick limitation adjustable for stop settings, e.g. in the hall

UNDERCARRIAGE

Design	MP50 E mobile undercarriage with integrated 4-point outrigger system, hydraulic locking pendulum steering axle and pendulum axle cylinder with pipe fracture safety valves
Drive	All-wheel drive powered by a variable-displacement hydraulic motor with direct-mounted, automatic brake valve and 2-gear power shift transmission Planetary axles with integrated steering cylinder and dual-circuit service brake
Parking brake	Spring-loaded multi-disk brake
Tires	8x 14.00-24
Speed	Low: 0-5.4 kph ; high: 0-14 kph
Options	<ul style="list-style-type: none"> ■ Tires: 8x 16.00-25 ■ Individual outrigger control for stability on uneven ground ■ Traction drive protection ■ Shunting coupler

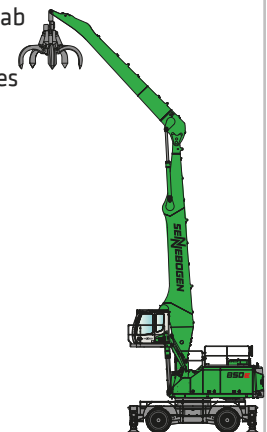
ELECTRIC DRIVE **eGREEN**

Option	<ul style="list-style-type: none"> ■ Power: 200 kW, 400 V, 50 Hz Total connected load 270 kVA, customer-provided 355 A fuse (alternatively 400 A with magnet system) for 400 V - star-delta connection motor start ■ Advantages: Lowest operating costs, quiet and virtually vibration-free work, long service life of hydraulic components
--------	--

OPERATING WEIGHT

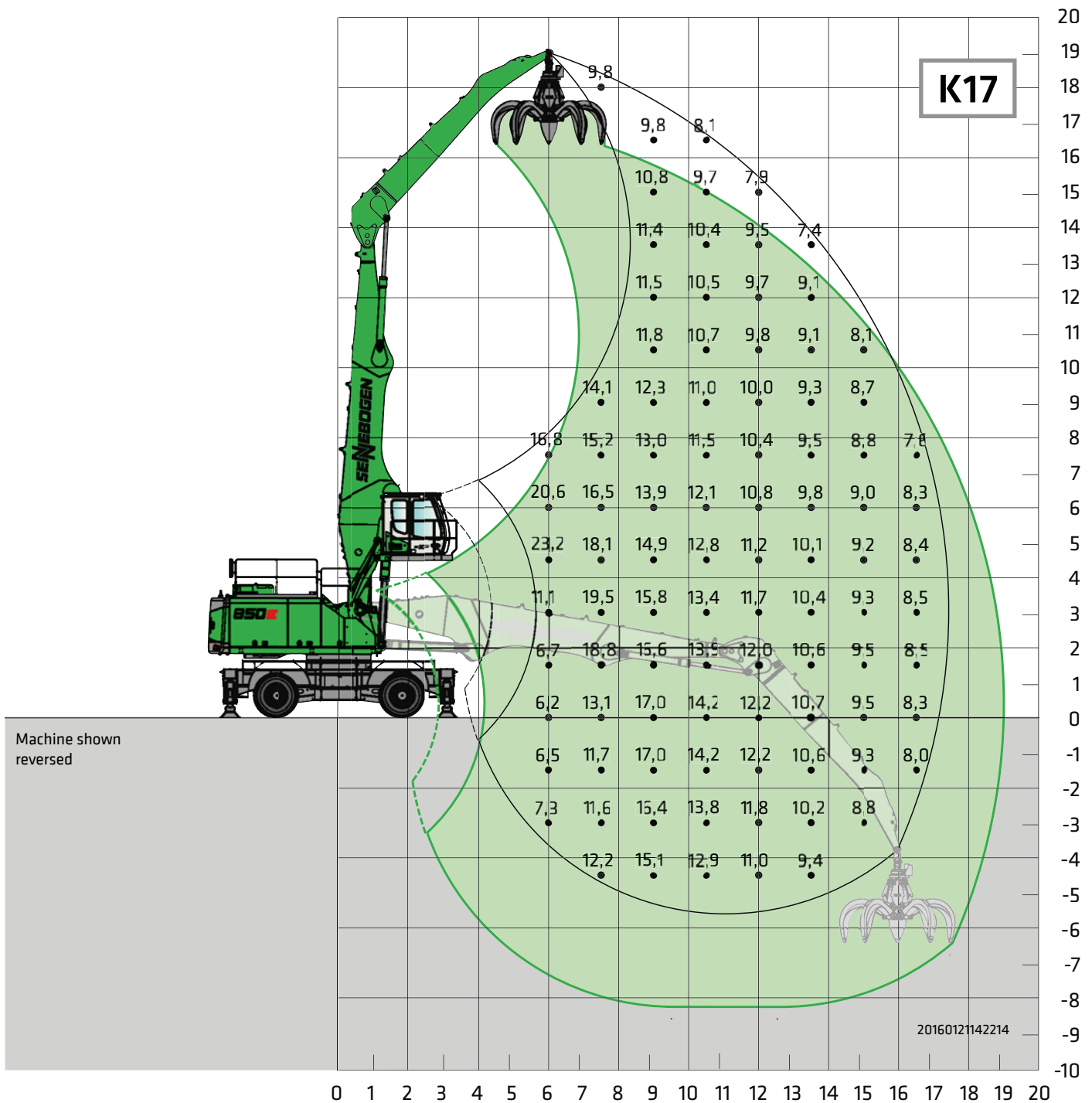
Mass	approx. 67,800 kg 850 M basic machine with K21 equipment and 2,500 l multi-shell grab
------	---

Notice Operating weight varies by design.



850E Load ratings

M

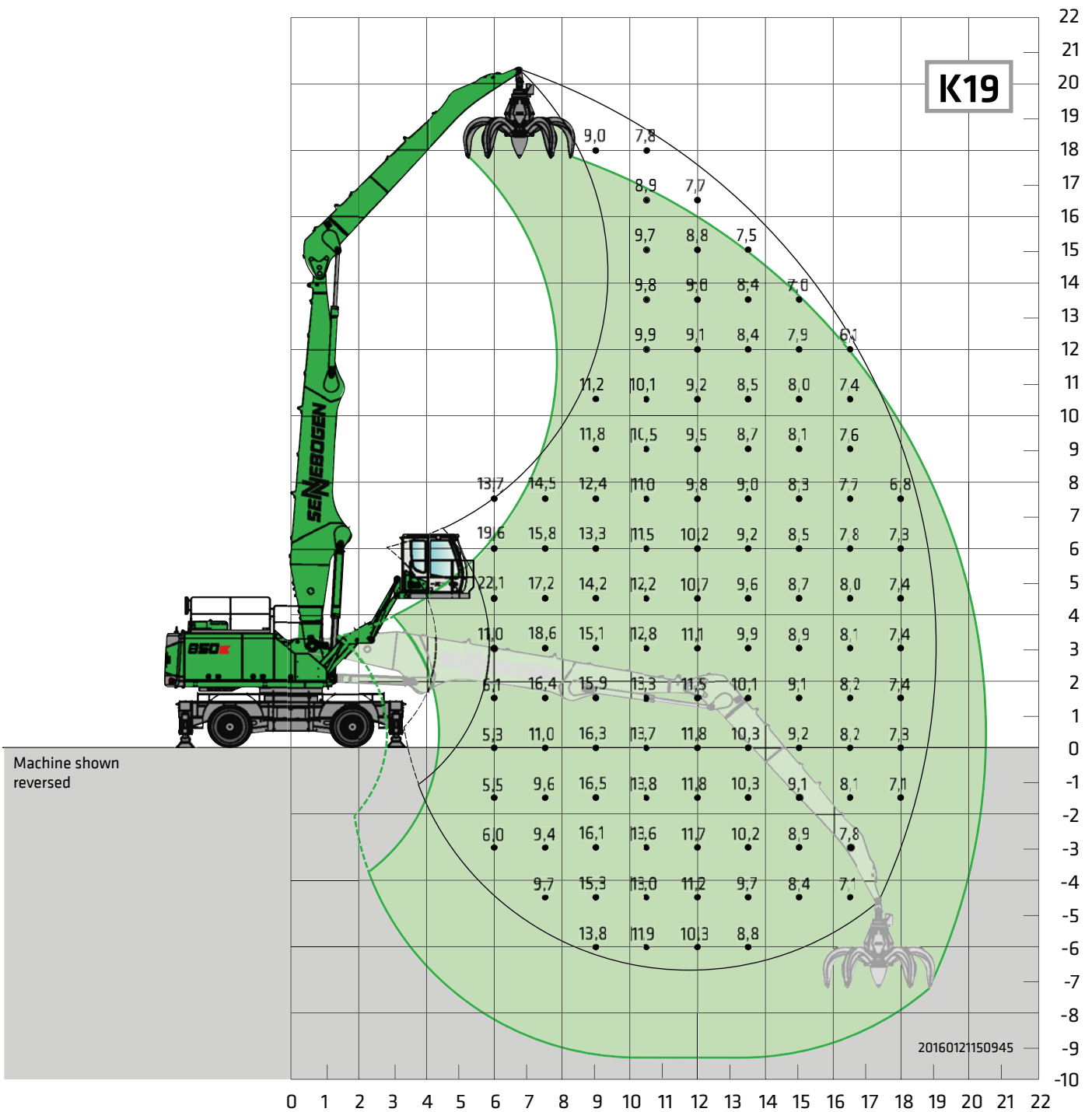


Undercarriage	MP50E	Compact boom Loading stick	10.5 m 7.5 m	Cab	Maxcab E270, cab with hydraulic elevation feature
----------------------	--------------	-----------------------------------	-------------------------	------------	--

All values are in tons (t) and are 75% of the static tipping load or 87% of the hydraulic lifting force in accordance with ISO 10567, and apply at the required operating temperature in the Green Hybrid system. They apply 360° on solid, level ground. Safe working loads include attachments such as multi-shell grapples, magnets, etc. According to harmonized EU standard EN 474-5, hydraulic excavators used for lifting must be equipped with pipe fracture safety devices on the hoist cylinders and an overload warning device.

850E Load ratings

M

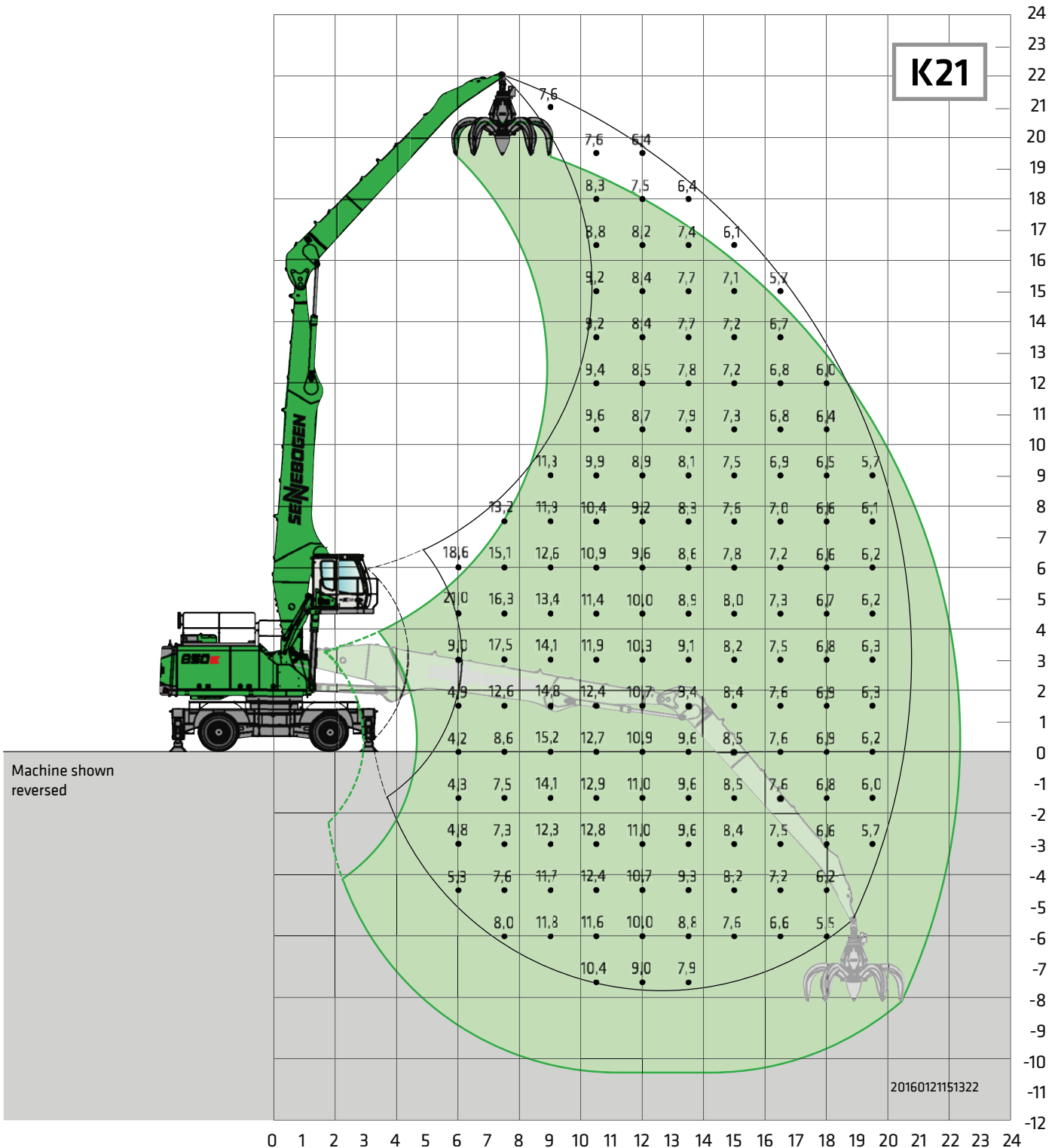


Undercarriage	MP50E	Compact boom Loading stick	11.2 m 8.5 m	Cab	Maxcab E300/260, can be elevated and moved forward hydraulically
----------------------	--------------	-----------------------------------	-------------------------	------------	---

All values are in tons (t) and are 75% of the static tipping load or 87% of the hydraulic lifting force in accordance with ISO 10567, and apply at the required operating temperature in the Green Hybrid system. They apply 360° on solid, level ground. Safe working loads include attachments such as multi-shell grapples, magnets, etc. According to harmonized EU standard EN 474-5, hydraulic excavators used for lifting must be equipped with pipe fracture safety devices on the hoist cylinders and an overload warning device.

850E Load ratings

M

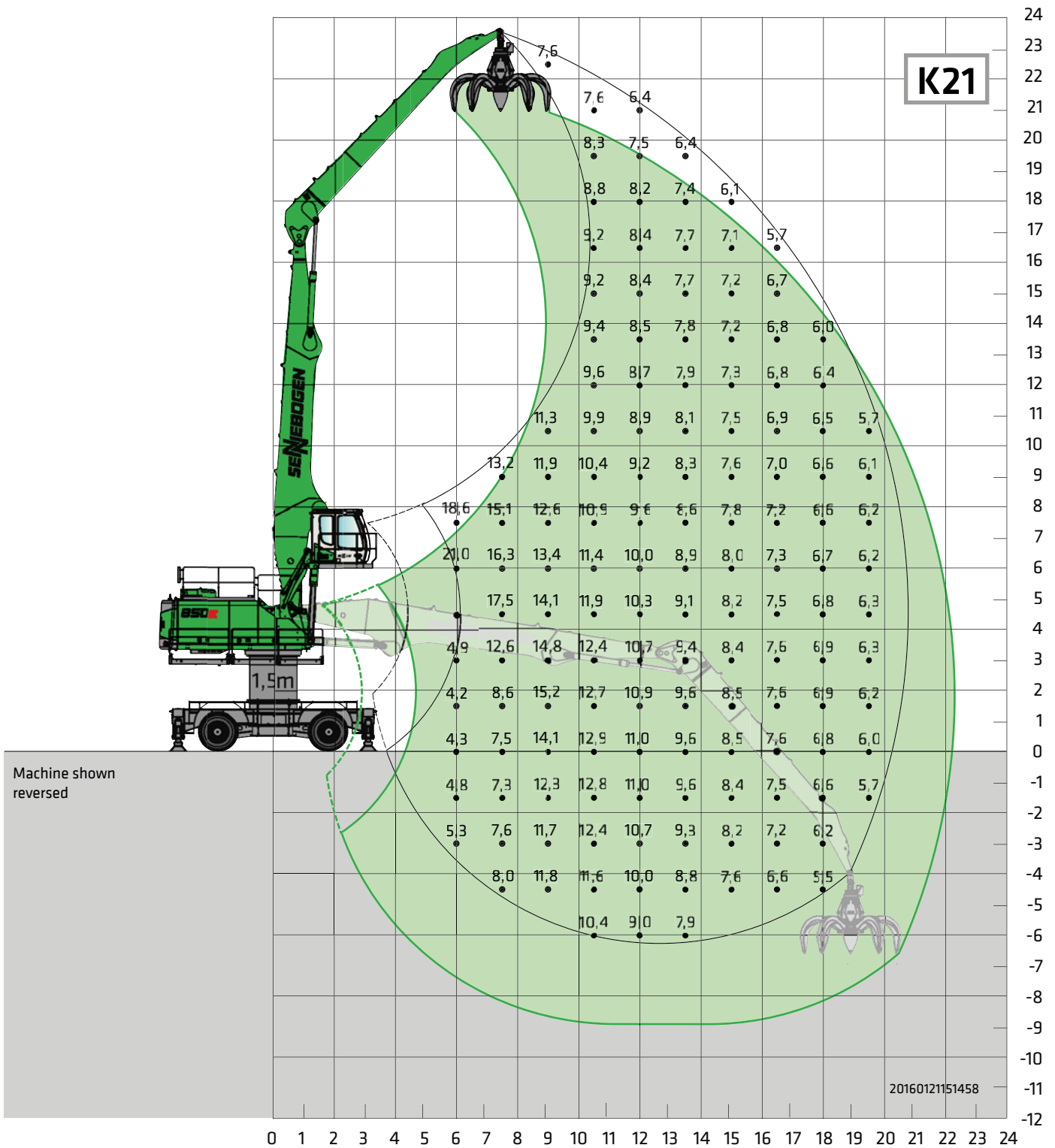


Undercarriage	MP50E	Compact boom Loading stick	12.1 m 9.5 m	Cab	Maxcab E270, cab with hydraulic elevation feature
---------------	-------	----------------------------	-----------------	-----	---

All values are in tons (t) and are 75% of the static tipping load or 87% of the hydraulic lifting force in accordance with ISO 10567, and apply at the required operating temperature in the Green Hybrid system. They apply 360° on solid, level ground. Safe working loads include attachments such as multi-shell grapples, magnets, etc. According to harmonized EU standard EN 474-5, hydraulic excavators used for lifting must be equipped with pipe fracture safety devices on the hoist cylinders and an overload warning device.

850E Load ratings

M

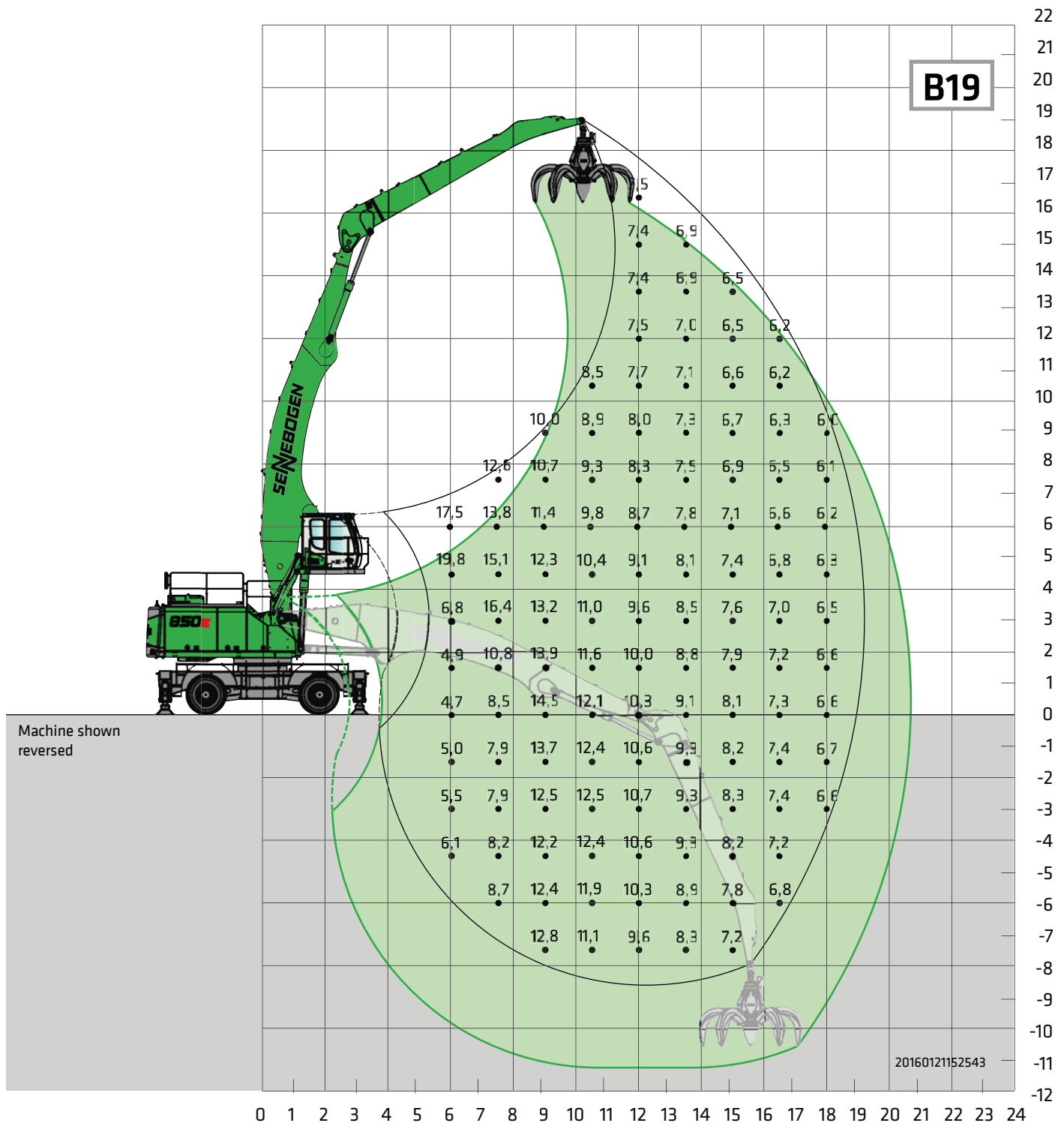


Undercarriage Pylon	MP50E 1.5 m	Compact boom Loading stick	12.1 m 9.5 m	Cab	Maxcab E270, can be elevated and moved forward hydraulically
----------------------------	--------------------	-----------------------------------	---------------------	------------	---

All values are in tons (t) and are 75% of the static tipping load or 87% of the hydraulic lifting force in accordance with ISO 10567, and apply at the required operating temperature in the Green Hybrid system. They apply 360° on solid, level ground. Safe working loads include attachments such as multi-shell grapples, magnets, etc. According to harmonized EU standard EN 474-5, hydraulic excavators used for lifting must be equipped with pipe fracture safety devices on the hoist cylinders and an overload warning device.

850E Load ratings

M

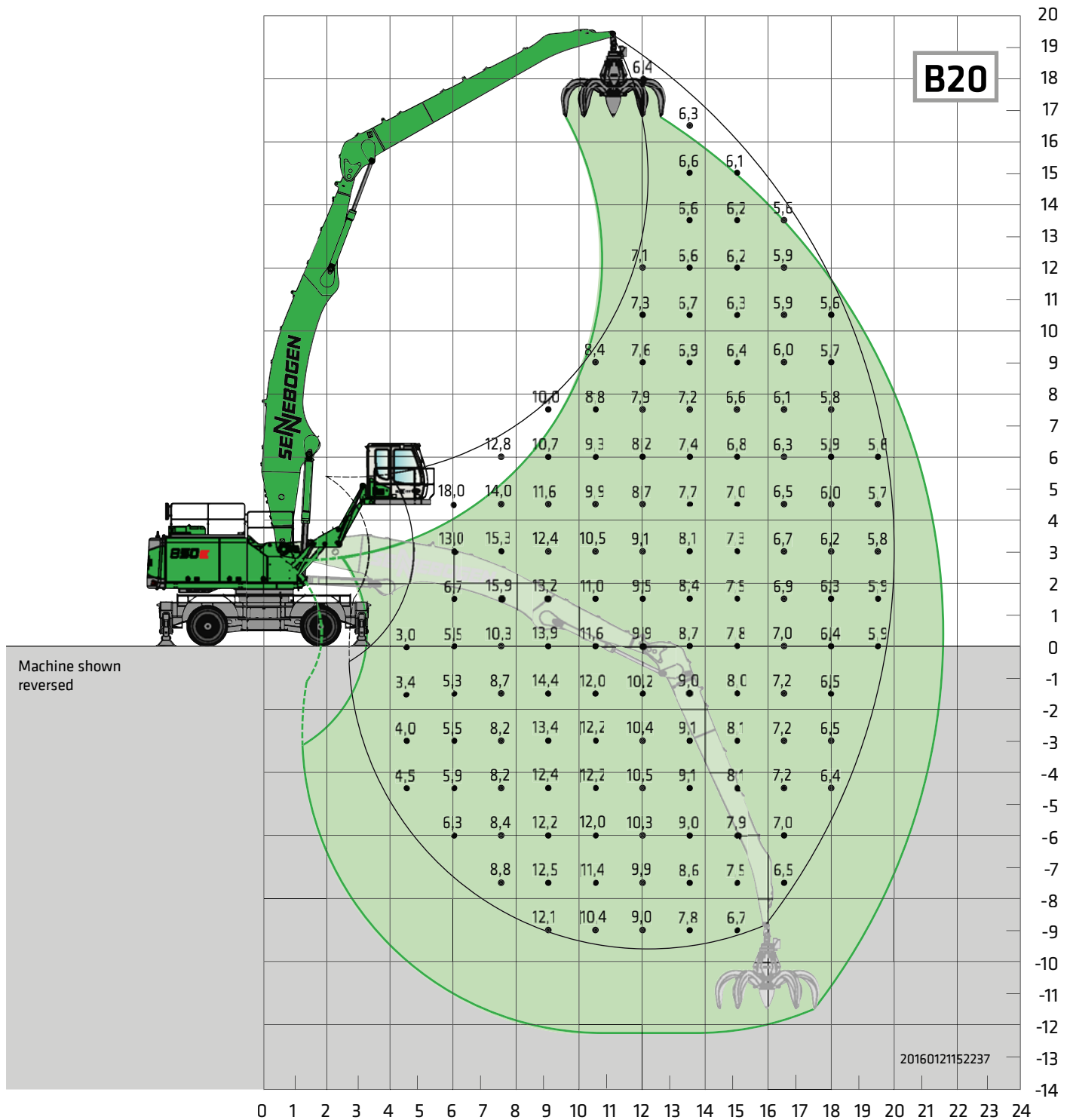


Undercarriage	MP50E	Compact boom Loading stick	12 m 8.5 m	Cab	Maxcab E270, cab with hydraulic elevation feature
----------------------	--------------	-----------------------------------	-----------------------	------------	--

All values are in tons (t) and are 75% of the static tipping load or 87% of the hydraulic lifting force in accordance with ISO 10567, and apply at the required operating temperature in the Green Hybrid system. They apply 360° on solid, level ground. Safe working loads include attachments such as multi-shell grapples, magnets, etc. According to harmonized EU standard EN 474-5, hydraulic excavators used for lifting must be equipped with pipe fracture safety devices on the hoist cylinders and an overload warning device.

850E Load ratings

M

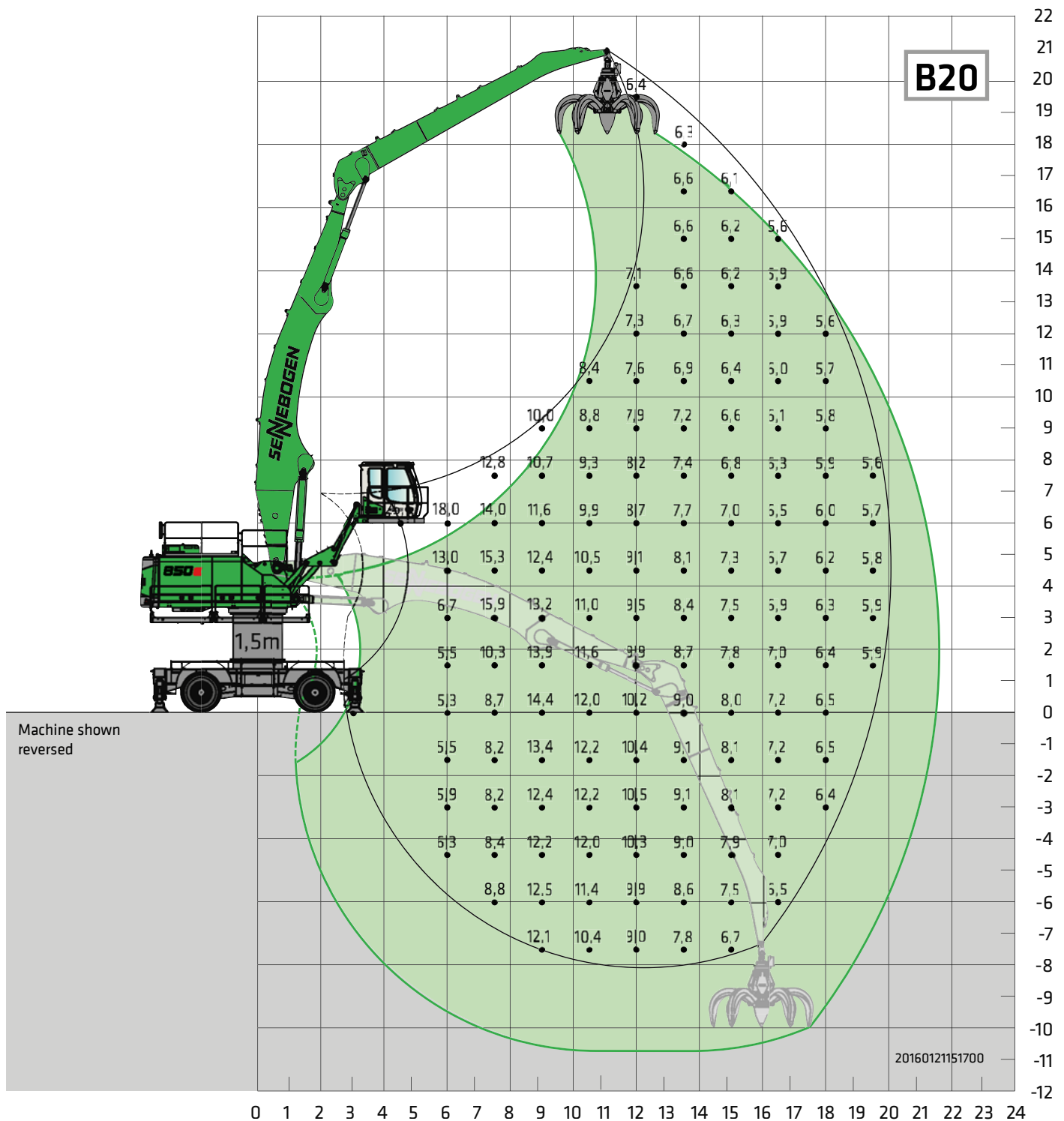


Undercarriage	MP50E	Compact boom Loading stick	12 m 9.5 m	Cab	Maxcab E300/260, hydraulically elevating
----------------------	--------------	-----------------------------------	-----------------------	------------	---

All values are in tons (t) and are 75% of the static tipping load or 87% of the hydraulic lifting force in accordance with ISO 10567, and apply at the required operating temperature in the Green Hybrid system. They apply 360° on solid, level ground. Safe working loads include attachments such as multi-shell grapples, magnets, etc. According to harmonized EU standard EN 474-5, hydraulic excavators used for lifting must be equipped with pipe fracture safety devices on the hoist cylinders and an overload warning device.

850E Load ratings

M



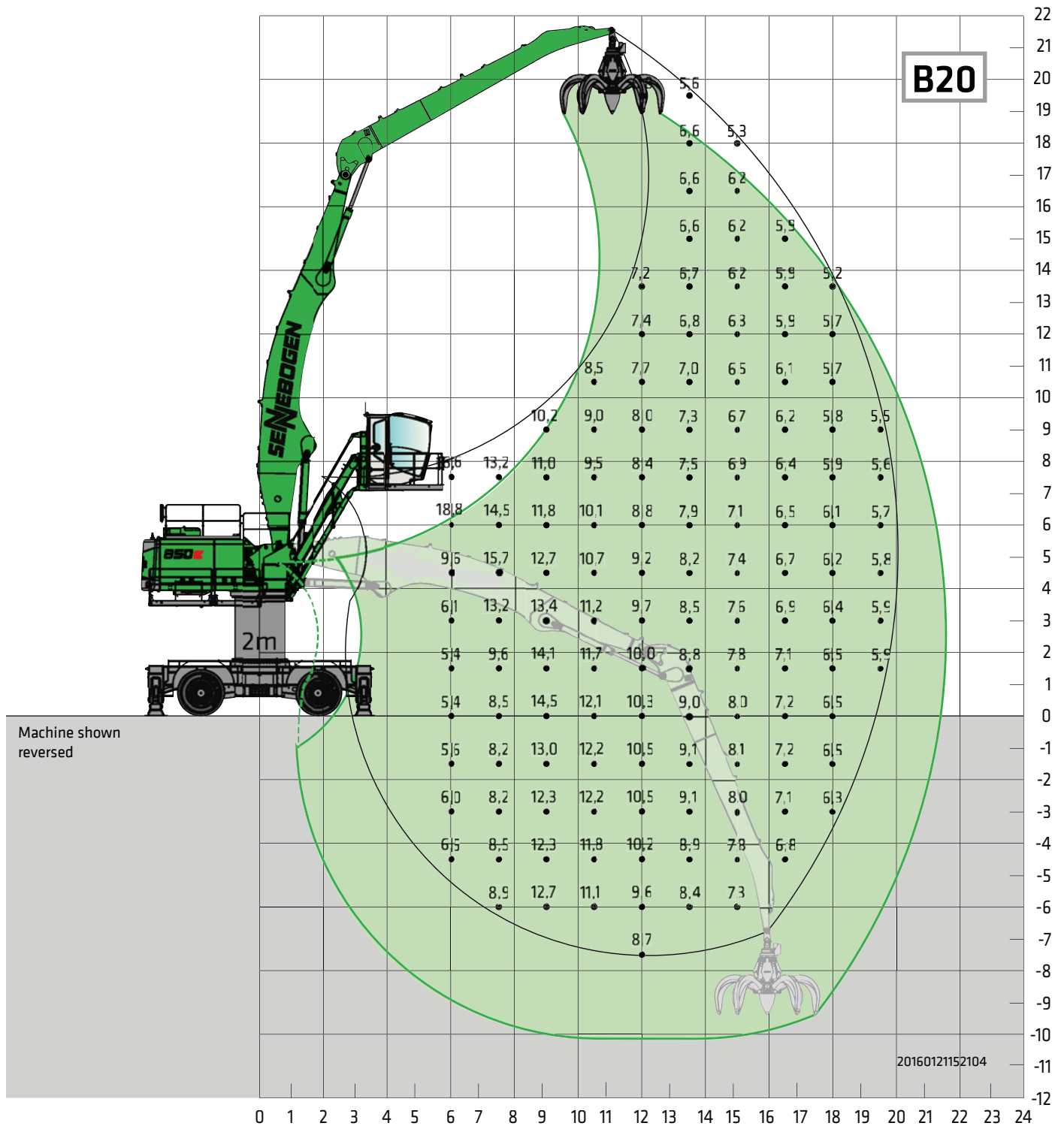
Undercarriage Pylon	MP50E 1.5 m	Compact boom Loading stick	12 m 9.5 m	Cab	Maxcab E300/260, can be elevated and moved forward hydraulically
----------------------------	--------------------	-----------------------------------	-------------------	------------	---

All values are in tons (t) and are 75% of the static tipping load or 87% of the hydraulic lifting force in accordance with ISO 10567, and apply at the required operating temperature in the Green Hybrid system. They apply 360° on solid, level ground. Safe working loads include attachments such as multi-shell grapples, magnets, etc. According to harmonized EU standard EN 474-5, hydraulic excavators used for lifting must be equipped with pipe fracture safety devices on the hoist cylinders and an overload warning device.



850E Load ratings

M

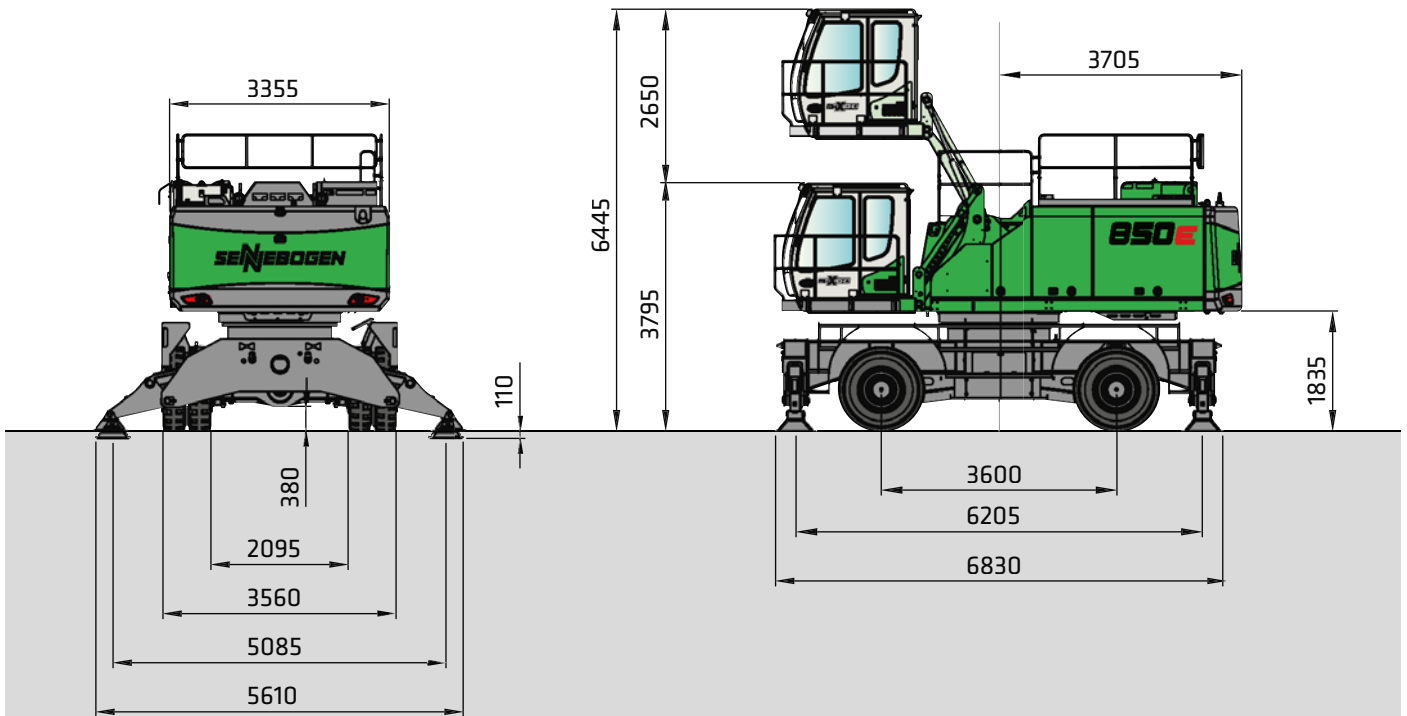


Undercarriage Pylon	MP71E 2 m	Compact boom Loading stick	12 m 9.5 m	Cab	Skylift 700 Mastercab, cab with hydraulic elevation feature (option)
----------------------------	------------------	-----------------------------------	-------------------	------------	---

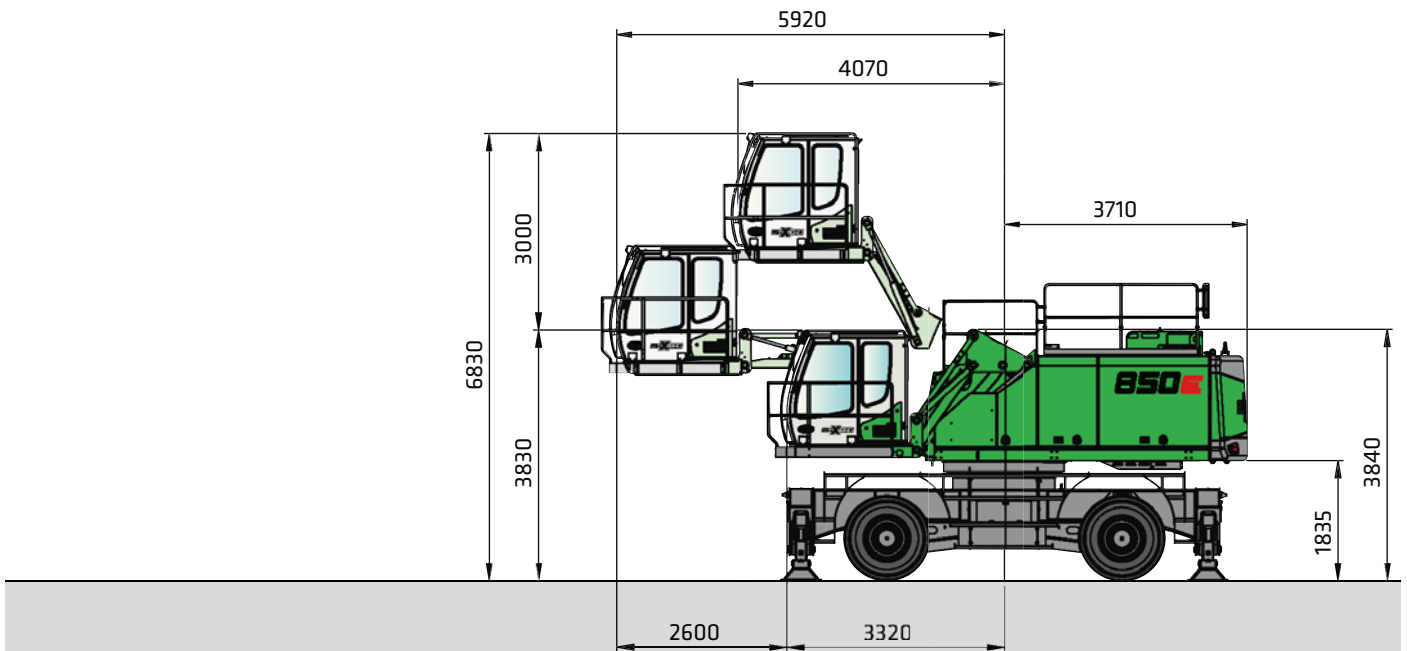
All values are in tons (t) and are 75% of the static tipping load or 87% of the hydraulic lifting force in accordance with ISO 10567, and apply at the required operating temperature in the Green Hybrid system. They apply 360° on solid, level ground. Safe working loads include attachments such as multi-shell grapples, magnets, etc. According to harmonized EU standard EN 474-5, hydraulic excavators used for lifting must be equipped with pipe fracture safety devices on the hoist cylinders and an overload warning device.

850E Dimensions

M



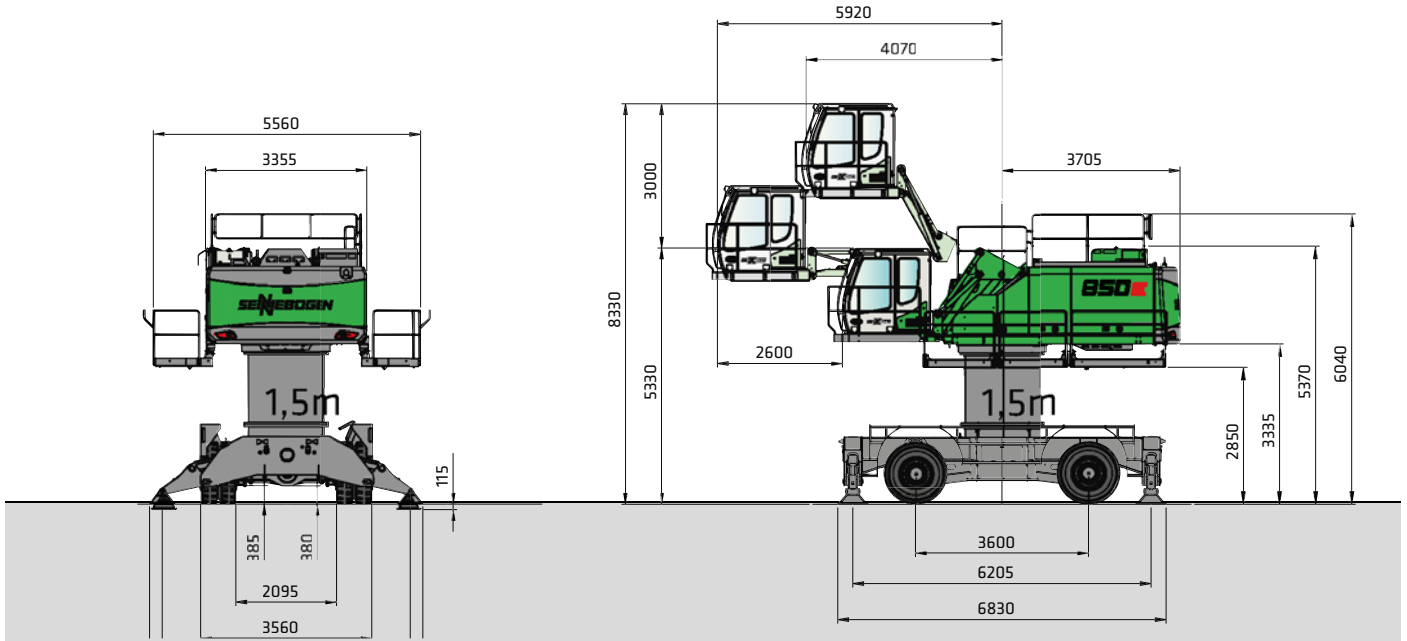
850 M with MP50 undercarriage and Maxcab E270 cab with hydraulic elevation feature



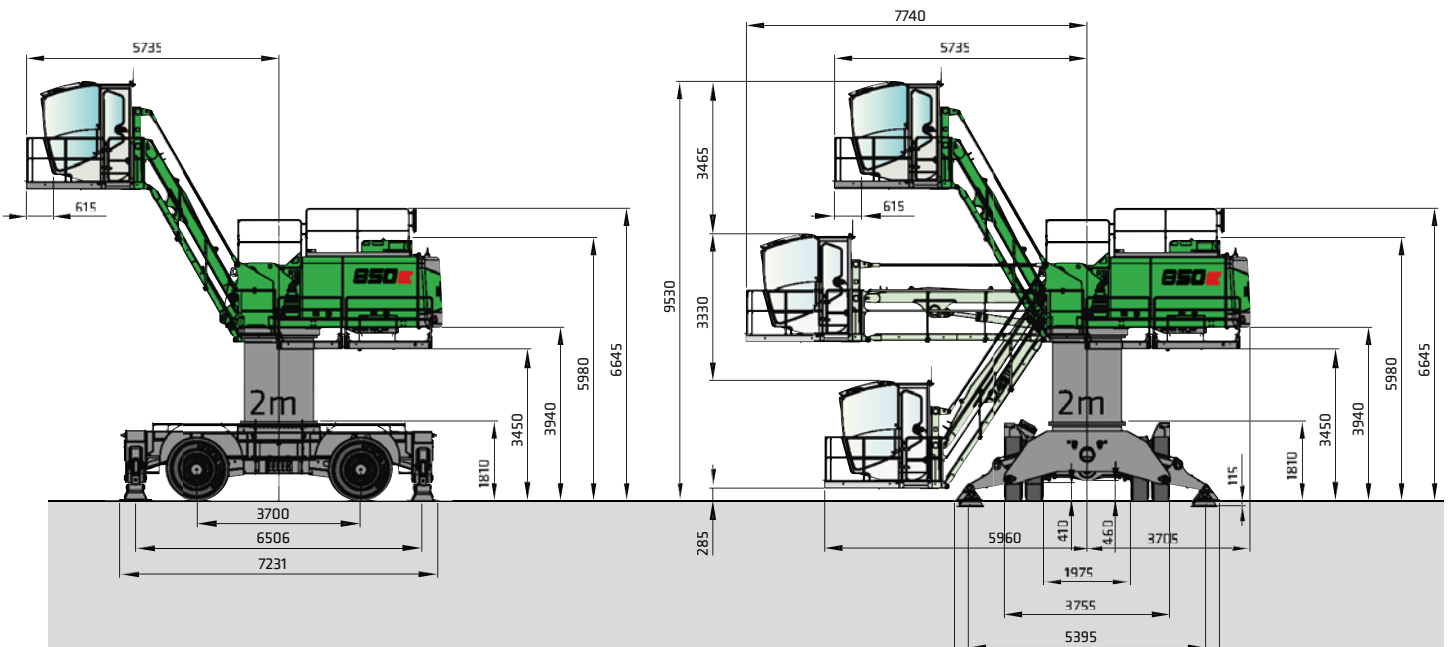
850 M with MP50 undercarriage Maxcab E300/260 cab with hydraulic elevation and tilt feature

850E Dimensions

M



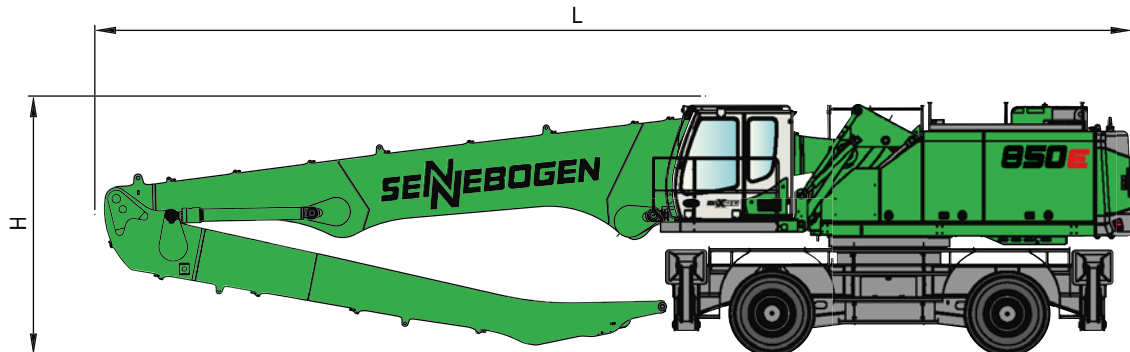
850 M with MP50 undercarriage, Maxcab E300/260 cab with hydraulic elevation and tilt feature, and 1.5 m pylon



850 M with MP71 undercarriage and Skylift 700 Mastercab cab with hydraulic elevation feature

850E Transport dimensions

M



	Load boom	Grapple stick	Transport length (L)	Transport height (H)
K17	10.5 m	7.5 m	15.1 m	3.90 m
K19	11.2 m	8.5 m	15.8 m	3.95 m
K21	12.1 m	9.5 m	16.7 m	4.00 m
19b	12.0 m Banana	8.5 m	16.5 m	4.00 m
20b	12.0 m Banana	9.5 m	16.5 m	4.00 m

850E Recommended grapples

M

SGM multi-shell grab (4 shells)



Design / size	Grapple capacity	Weight ¹		Maximum load capacity
		Shell shape		
		HO	G	
SGM	l	kg	kg	t
800.50-4	800	2245	2490	10.0
1000.50-4	1000	2345	2585	
1500.50-4	1500	2475	2830	
2000.50-4	2000	2660	3075	

SGM multi-shell grab (5 shells)



Design / size	Grapple capacity	Weight ¹		Maximum load capacity
		Shell shape ²		
		HO	G	
SGM	l	kg	kg	t
800.50	800	2420	2610	10.0
1000.50	1000	2480	2655	
1500.50	1500	2645	2930	
2000.50	2000	2800	3160	
2500.50	2500	3130	3615	
3000.50	3000	3250	3875	
3500.50	3500	3420	4140	

Double-shell grab SGZ



Design / size	Grapple capacity	Weight ¹	Maximum load capacity
SGZ	l	kg	t
1500.50	1500	1989	8.0
2000.50	2000	2246	
2500.50	2500	2345	
3000.50	3000	2532	
4000.50	4000	2880	

Magnetic plates



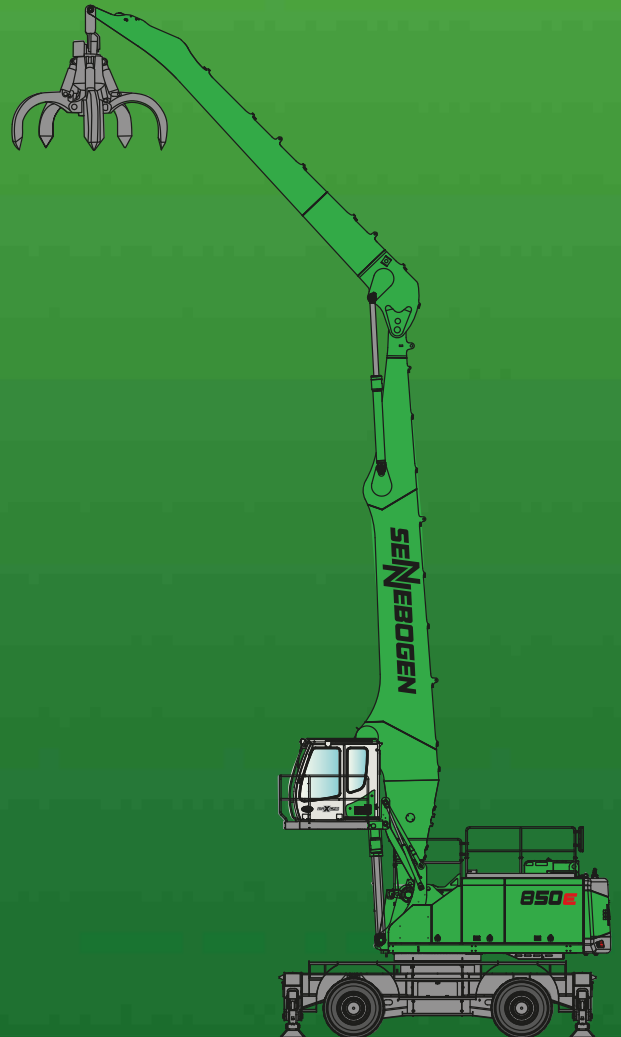
Type series / model	Power	Deadweight	Breakaway force	Load-bearing capacity in kg
WOKO	kW	kg	kN	Slab (safety factor 2)
S-RLB 15	11.7	2400	380	19000
S-RLB 17	17.8	3300	640	32000
S-RLB 19	22.0	5090	790	39500
Recommended magnetic generator: 20-25 kW				

*) Available upon request

¹⁾ Weight information without grapple suspension, stick bolts, hose system

²⁾ Half-open shells: shell sheet steel width 400 mm, 500 mm wide for 1250 l capacity and higher

850E



This catalog describes machine models, scopes of equipment of individual models, and configuration options (standard equipment and optional equipment) of the machines supplied by SENNEBOGEN Maschinenfabrik. Machine illustrations can contain optional equipment and supplemental equipment. Actual equipment may vary depending on the country to which the machines are delivered, especially in regard to standard and optional equipment.

All product designations used may be trademarks of SENNEBOGEN Maschinenfabrik GmbH or other supplying companies, and any use by third parties for their own purposes may violate the rights of the owners.

Please contact your local SENNEBOGEN sales partner for information concerning the equipment variants offered. Requested performance characteristics are only binding if they are expressly stipulated upon conclusion of the contract. Delivery options and technical features are subject to change. Errors and omissions excepted. Equipment is subject to change, and rights of advancement are reserved.

© SENNEBOGEN Maschinenfabrik GmbH, Straubing/Germany. Reproduction in whole or in part only with written consent of SENNEBOGEN Maschinenfabrik GmbH, Straubing, Germany.

SENNEBOGEN

SENNEBOGEN
Maschinenfabrik GmbH
Sennebogenstraße 10
94315 Straubing, Germany

Tel. +49 9421 540-144/146
Fax +49 9421 43 882
marketing@sennebogen.de

Order no. 299028
850M-E-041615

GO FOR GREEN

 www.sennebogen.com